

YD1173 - industrial air-cooled triode with output power 13.2 kW

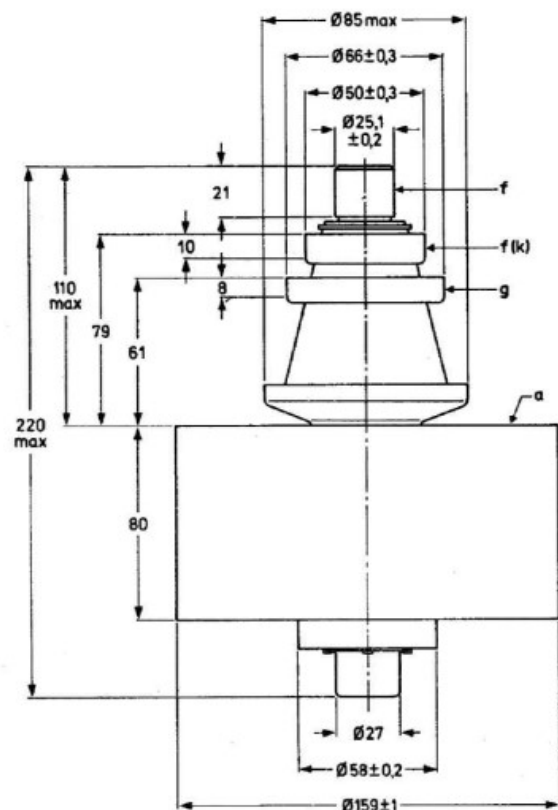
Electrical characteristics:

Filament Voltage	5.4	V
Filament Current	65	A
Amplification Factor	45	
Interelectrode capacitances		
Cga	17	pF
Cgc	42	pF
Cca	0.4	pF

Typical operation (Class C, RF oscillator):

Frequency	50	MHz
DC Plate Voltage	10	kV
DC Grid Voltage	675	V
DC Plate Current	1.75	A
DC Grid Current	450	mA
Grid Dissipation	180	W
Plate Input Power	17.5	kW
Plate Output Power	13.2	kW
Plate Dissipation	3.8	kW

Maximum Weight	7	kg
Maximum Length	220	mm
Maximum Diameter	159	mm
Operating position	vertical	
Temperature at any point on tube envelope	max 240	°C
Anode cooling	forced air	



Maximum ratings:

DC Plate Voltage	12	kV
DC Plate Current	2	A
Grid Dissipation	300	W
Plate Dissipation	10	kW
Plate Output Power	13.2	kW