

## RS3060CL - industrial air-cooled triode with output power 120 kW

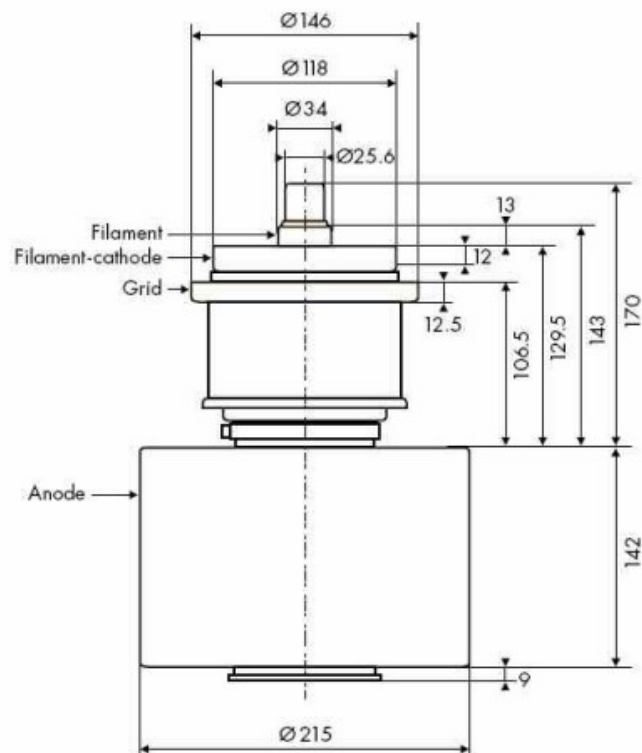
### Electrical characteristics:

Filament Voltage	10	V
Filament Current	190	A
Amplification Factor	22	
Interelectrode capacitances		
Cga	46	pF
Cgc	95	pF
Cca	2.6	pF

### Typical operation:

	1		2	
Frequency	30	MHz	30	MHz
DC Plate Voltage	13	kV	12	kV
Grid Resistance	0.54	kΩ	0.54	kΩ
DC Plate Current	12.1	A	10.7	A
DC Grid Current	1.75	A	1.75	A
Grid Dissipation	750	W	730	W
Plate Input Power	157	kW	128	kW
Plate Output Power	120	kW	100	kW
Plate Dissipation	35	kW	26	kW

Maximum Weight	18	kg
Maximum Length	312	mm
Maximum Diameter	215	mm
Operating position	vertical	
Temperature at any point on tube envelope	max 220	°C
Anode cooling	forced air	



### Maximum ratings:

DC Plate Voltage	14	kV
Frequency	100	MHz
Grid Dissipation	1.2	kW
Plate Dissipation	35	kW
Plate Output Power	120	kW