

3CX15000H3 - industrial air-cooled triode with output power 40 kW

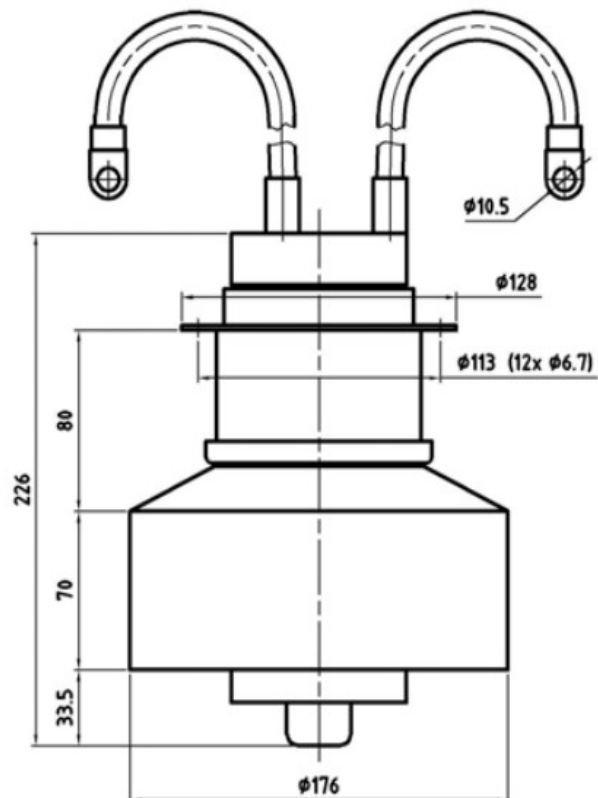
Electrical characteristics:

Filament Voltage	6.3	V
Filament Current	162	A
Amplification Factor	20	
Interelectrode capacitances		
Cga	34	pF
Cgc	55	pF
Cca	1.5	pF

Typical operation:

	1		2	
Frequency	30	MHz	30	MHz
DC Plate Voltage	7	kV	10	kV
DC Grid Voltage	600	V	800	V
DC Plate Current	6	A	5	A
DC Grid Current	660	mA	542	mA
Grid Dissipation	78	W	46	W
Plate Input Power	42	kW	50	kW
Plate Output Power	30	kW	41.2	kW
Plate Dissipation	12	kW	8.8	kW

Maximum Weight	5.91	kg
Maximum Length	226	mm
Maximum Diameter	176	mm
Operating position	vertical	
Temperature at any point on tube envelope	max 220	°C
Anode cooling	forced air	



Maximum ratings:

DC Plate Voltage	12	kV
DC Plate Current	6	A
Grid Dissipation	0.5	kW
Plate Dissipation	15	kW
Plate Output Power	40	kW