

## RS3040CL - industrial air-cooled triode with output power 60 kW

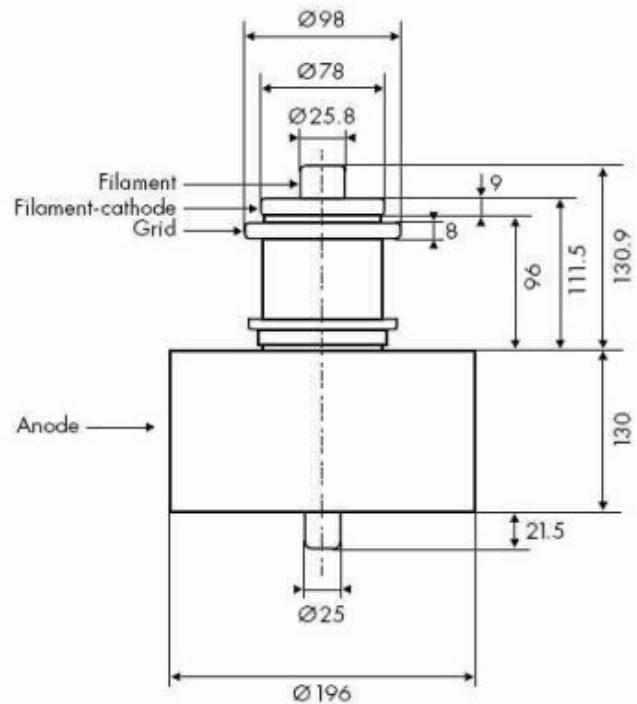
### Electrical characteristics:

Filament Voltage	8	V
Filament Current	185	A
Amplification Factor	20	
Interelectrode capacitances		
Cga	29	pF
Cgc	78	pF
Cca	2	pF

### Typical operation:

	1		2	
Frequency	30	MHz	30	MHz
DC Plate Voltage	12	kV	12	kV
Grid Resistance	0.92	kΩ	1	kΩ
DC Plate Current	6.3	A	5.2	A
DC Grid Current	1.2	A	1	A
Grid Dissipation	470	W	350	W
Plate Input Power	76	kW	62.4	kW
Plate Output Power	60	kW	50	kW
Plate Dissipation	14	kW	11	kW

Maximum Weight	13	kg
Maximum Length	282.5	mm
Maximum Diameter	196	mm
Operating position	vertical	
Temperature at any point on tube envelope	max 220	°C
Anode cooling	forced air	



### Maximum ratings:

DC Plate Voltage	14	kV
Frequency	100	MHz
Grid Dissipation	0.82	kW
Plate Dissipation	25	kW
Plate Output Power	60	kW