

RS3010CL - industrial air-cooled triode with output power 11 kW

Electrical characteristics:

Filament Voltage	6.3	V
Filament Current	66	A
Amplification Factor	20	
Interelectrode capacitances		
Cga	14.5	pF
Cgc	19.5	pF
Cca	0.5	pF

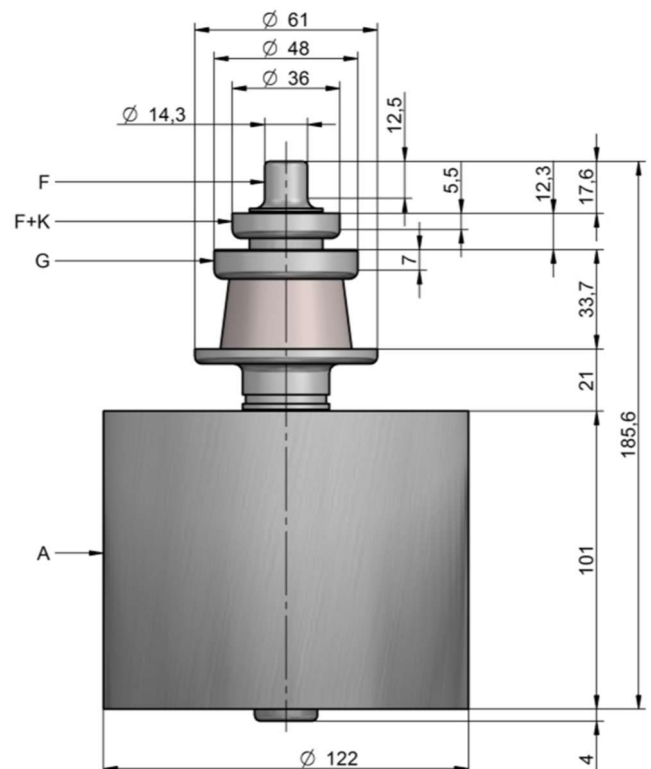
Typical operation:

	1		2	
Frequency	85	MHz	85	MHz
DC Plate Voltage	6.5	kV	6.5	kV
DC Grid Voltage	890	V	890	V
DC Plate Current	2.25	A	2.03	A
DC Grid Current	535	mA	500	mA
Grid Dissipation	160	W	145	W
Plate Input Power	14.6	kW	13.2	kW
Plate Output Power	11	kW	10	kW
Plate Dissipation	3.3	kW	2.7	kW

Maximum Weight	3.9	kg
Maximum Length	192	mm
Maximum Diameter	122.3	mm
Operating position	vertical	
Temperature at any point on tube envelope	max 220	°C
Anode cooling	forced air	

Maximum ratings:

DC Plate Voltage	7.2	kV
DC Plate Current	2.5	A
Grid Dissipation	0.2	kW
Plate Dissipation	5	kW
Plate Output Power	11	kW



*Could be marked as RD5XM tube