

RS3005CL - industrial air-cooled triode with output power 6 kW

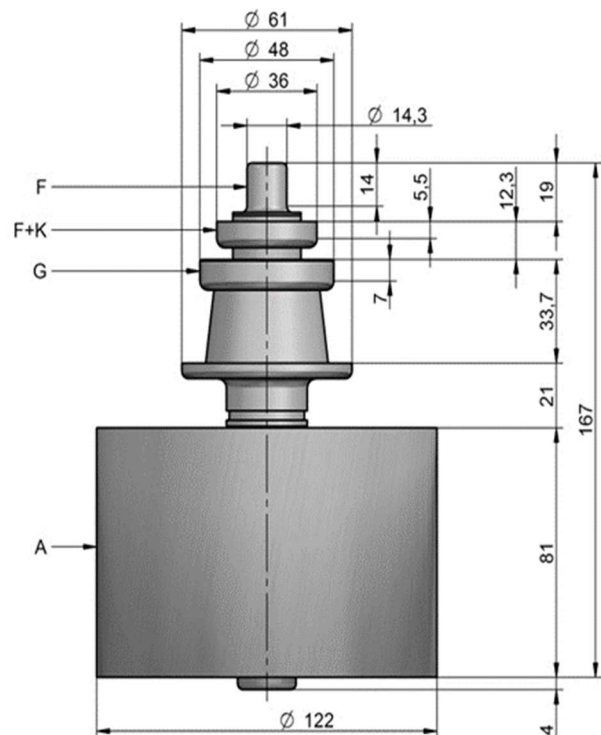
Electrical characteristics:

Filament Voltage	6.3	V
Filament Current	33	A
Amplification Factor	20	
Interelectrode capacitances		
Cga	14	pF
Cgc	17	pF
Cca	0.4	pF

Typical operation:

	1		2	
Frequency	85	MHz	85	MHz
DC Plate Voltage	6.3	kV	6.3	kV
DC Grid Voltage	940	V	1010	V
DC Plate Current	1.29	A	1.03	A
DC Grid Current	285	mA	255	mA
Grid Dissipation	95	W	80	W
Plate Input Power	8.1	kW	6.5	kW
Plate Output Power	6	kW	5	kW
Plate Dissipation	1.85	kW	1.25	kW

Maximum Weight	3	kg
Maximum Length	171	mm
Maximum Diameter	122	mm
Operating position	vertical	
Temperature at any point on tube envelope	max 220	°C
Anode cooling	forced air	



Maximum ratings:

DC Plate Voltage	7.2	kV
DC Plate Current	1.3	A
Grid Dissipation	0.15	kW
Plate Dissipation	2.5	kW
Plate Output Power	6	kW

*Could be marked as RD3XM tube